

# BIE 25 JG

---

## Assembly Diagram

The **BIE-25JG** is provided all assembled and tested.

For its installation, first you will have to dismantle the different components (step 1, 2) and follow the steps shown in the assembly diagram.

### Maintenance

You must execute the BIE maintenance according to the Installation Code against fires (**RD 1942/1993 5th November**), that specifies:

#### Every Year:

Hosepipe dismantle and testing of it in an appropriate place.

Checking of the righth working of the nozzle in its different positions and of the closing system.

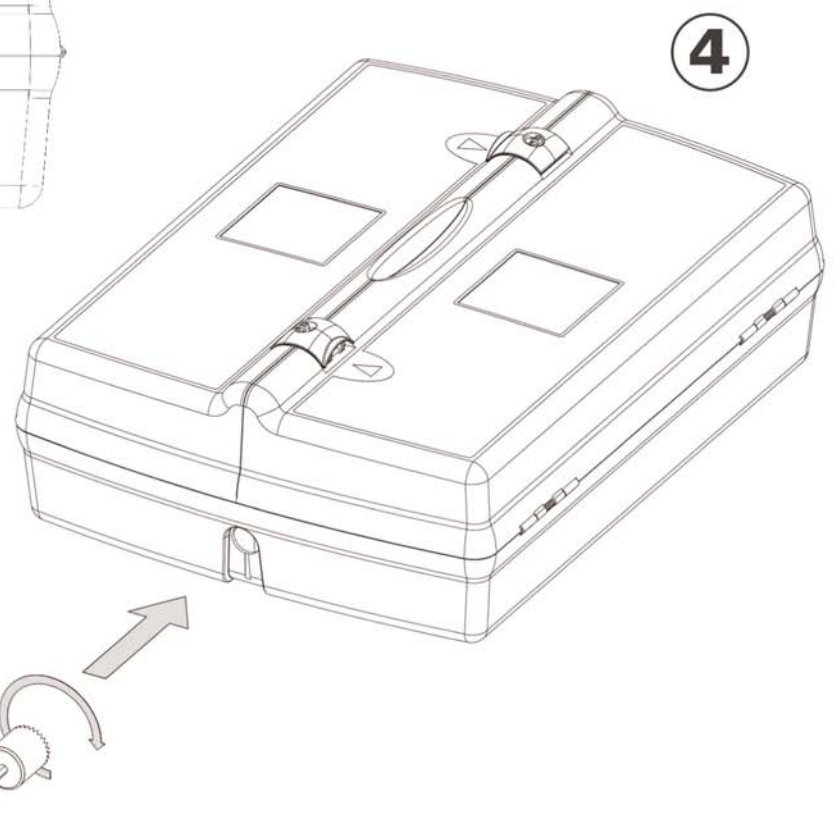
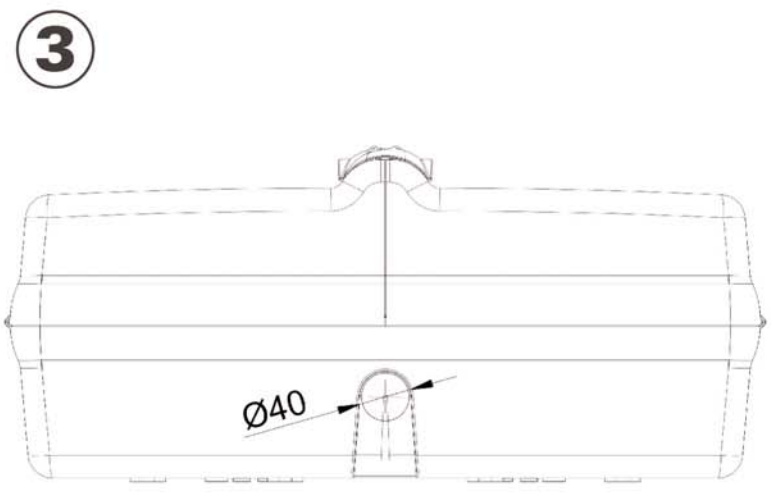
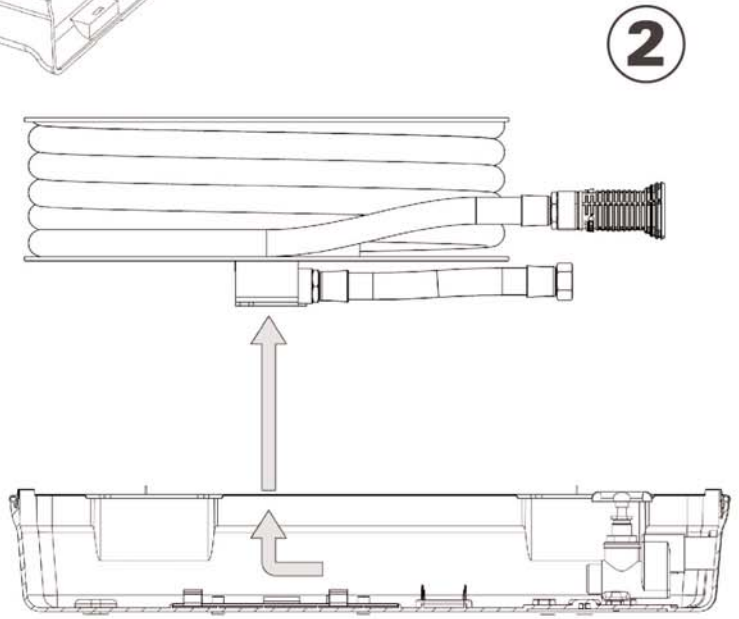
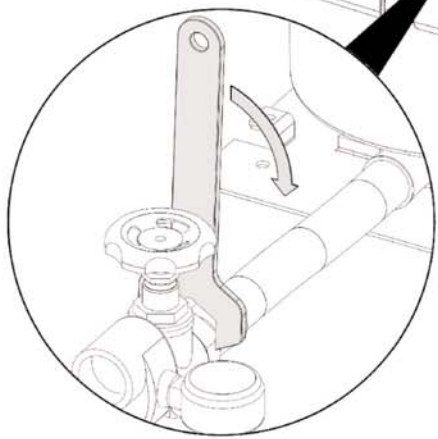
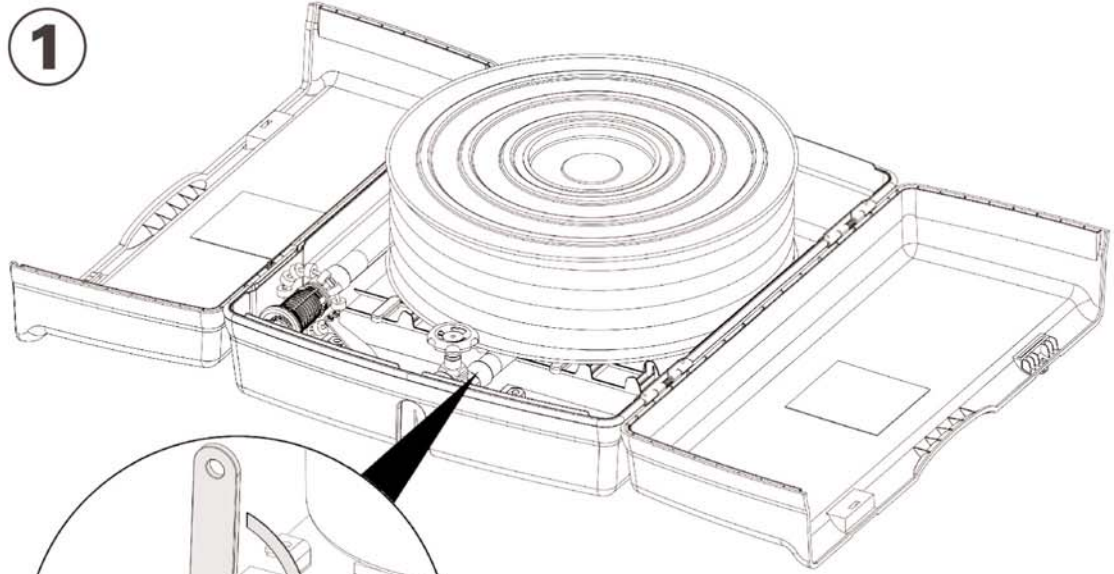
Checking of the watertight conditions of the racors and hosepipes and the seals status.

Checking of the manometers indications with other device as reference (patron) connected in the hosepipe connection racor.

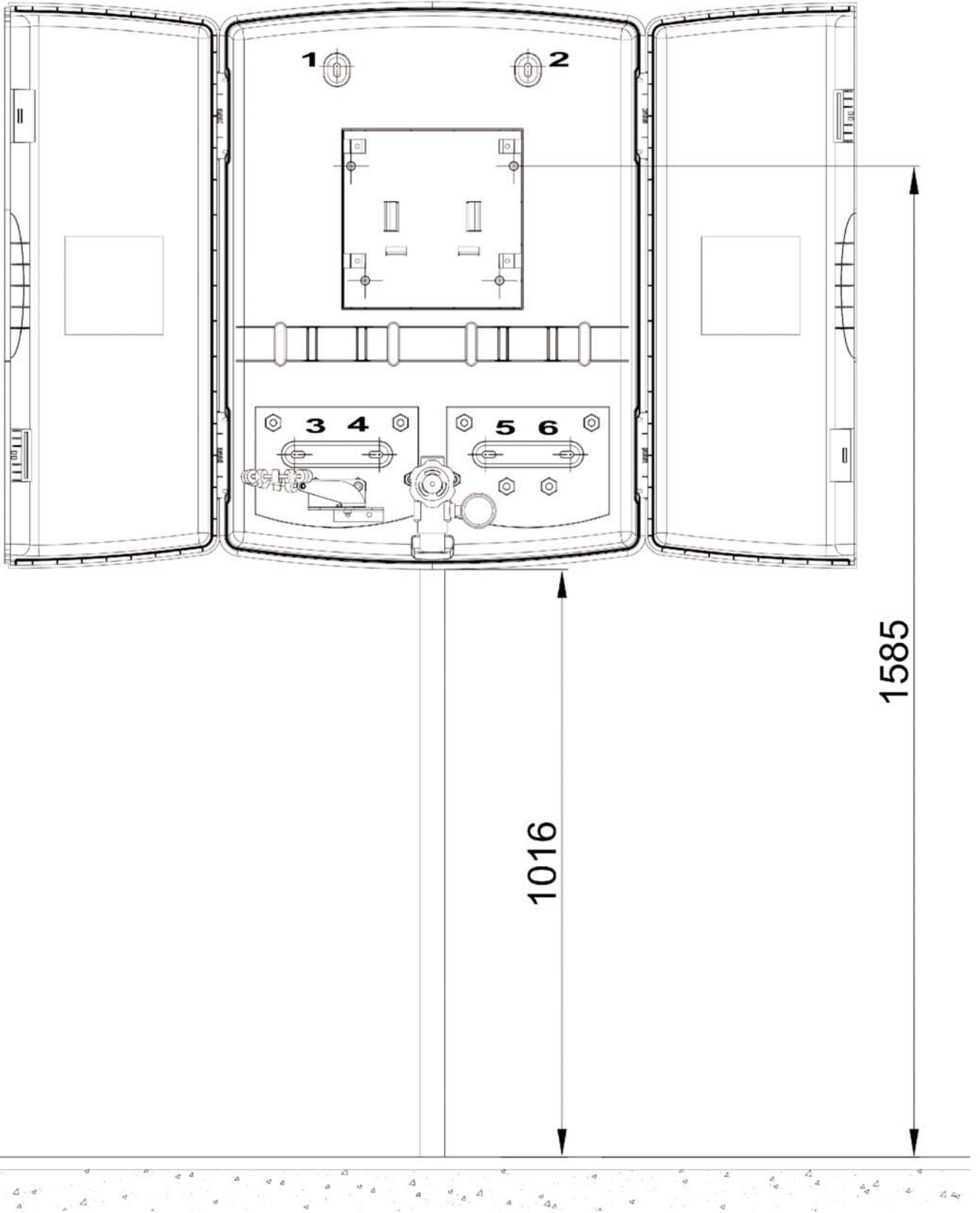
#### Every Five Years:

The hosepipe must undergone a 15kg/cm<sup>2</sup> testing pressure.

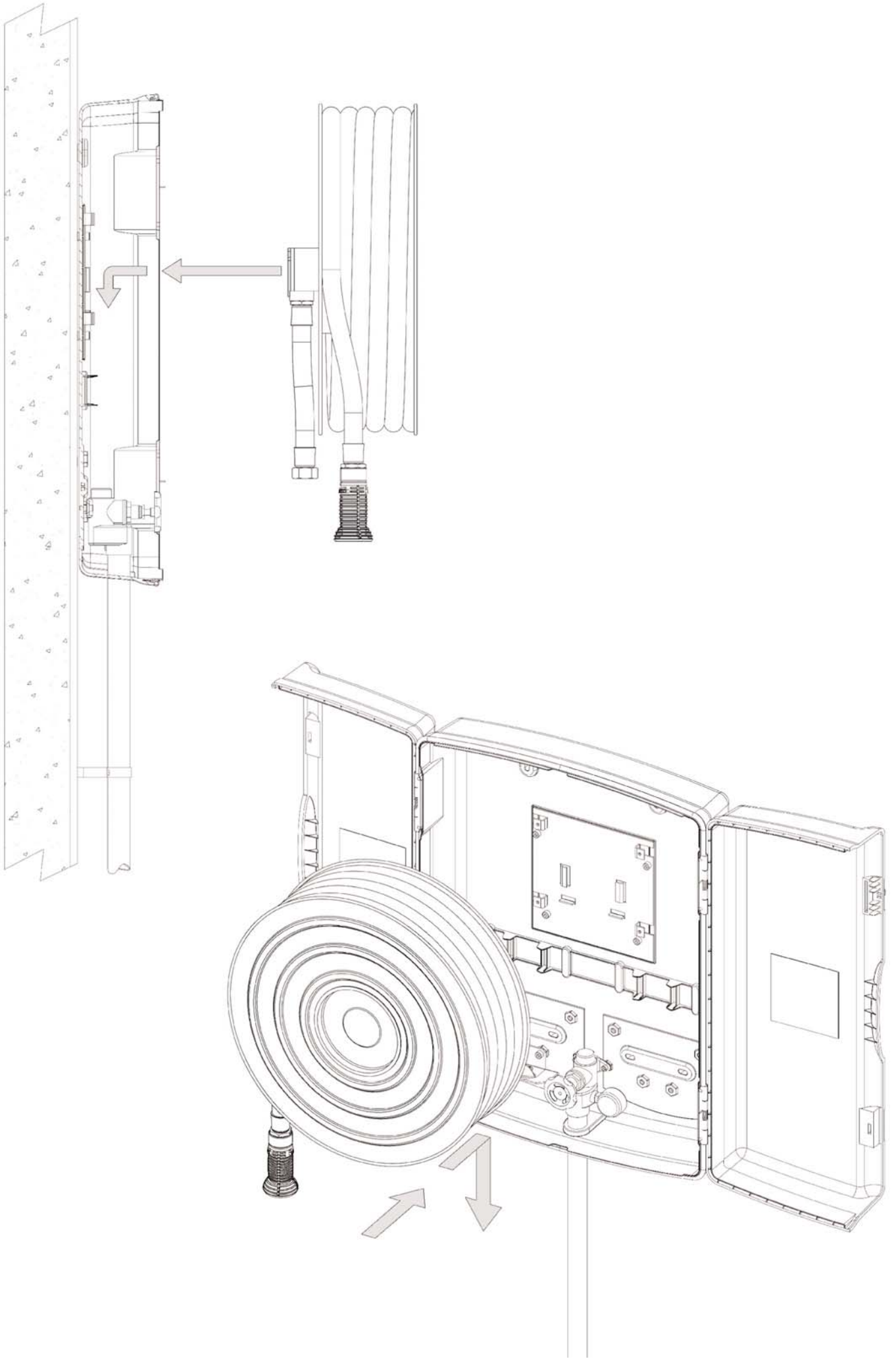




5



6





**Using Instructions**  
**System against Fires**  
**BIE 25 JG**

- 1° If the BIE has a protection lid open the cabinet by the two lockers.
- 2° Check that the nozzle thrower is closed.
- 3° Open the valve turning the Wheel in anticlockwise direction.
- 4° Pull the hosepipe and go to using position.
- 5° Open the nozzle thrower to the compact stream position or the atomized water position.
- 6° Once you have finished using it, first close the nozzle thrower and then the valve. Subsequently open lightly the nozzle thrower for depressurizing the hosepipe.